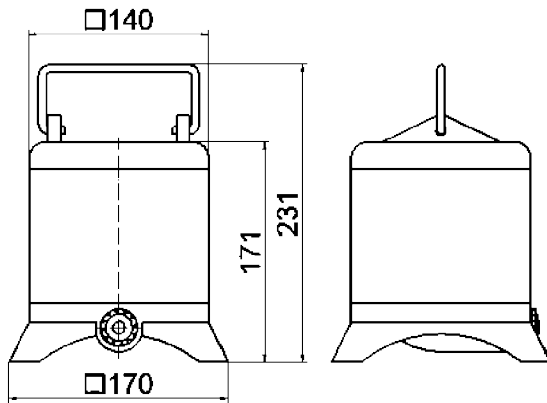


International Edition



Simply. Well. Connected.

- Ready wired for installation
- Protection degree IP44
- All distributors on this page with domestic sockets, German earthing



13MB052

- Dimension of enclosure: 140 x 140 mm
- Enclosure made of high-quality, impact-resistant solid rubber
- Small, compact design
- Top and bottom in signal yellow
- Handle made of stainless steel

Order no. **57275**

Components:
2 Domestic sockets 16A, 230V ~
(system F - German earthing System)
1 CEE socket 16A, 400V, 5p

Protection:
1 RCCB 25/0.03A, 2p

Cable entry/Input:
CEE plug 16A, 400V, 5p with
lead 2 m H07RN-F5G1,5

Order no. **57148**

Components:
2 Domestic sockets 16A, 230V ~
(system F - German earthing System)
2 CEE sockets 16A, 400V, 5p

Cable entry/Input:
CEE plug 16A, 400V, 5p with
lead 2 m H07RN-F5G2,5

Order no. **57623**

Components:
4 Domestic sockets 16A, 230V ~
(system F - German earthing System)

Cable entry/Input:
Domestic plug 16A, 230V, 3p
4 m cable H07RN-F3G2,5

Order no. **57996**

Components:
2 Domestic sockets 16A, 230V ~
(system F - German earthing System)
1 CEE socket 16A, 400V, 5p
1 rotary field measuring device

Protection:
1 RCCB 40/0.03A, 4p

Cable entry/Input:
CEE phase inverter 16A, 400V, 5p with
lead 2 m H07RN-F5G2,5

Order no. **57255**

Components:
2 Domestic sockets 16A, 230V ~
(system F - German earthing System)
1 CEE socket 16A, 400V, 5p

Protection:
1 RCCB 40/0.03A, 4p

Cable entry/Input:
CEE plug 16A, 400V, 5p with
lead 2 m H07RN-F5G2,5

Order no. **57143**

Components:
3 Domestic sockets 16A, 230V ~
(system F - German earthing System)
1 CEE socket 16A, 400V, 5p

Cable entry/Input:
CEE plug 16A, 400V, 5p with
lead 2 m H07RN-F5G2,5

