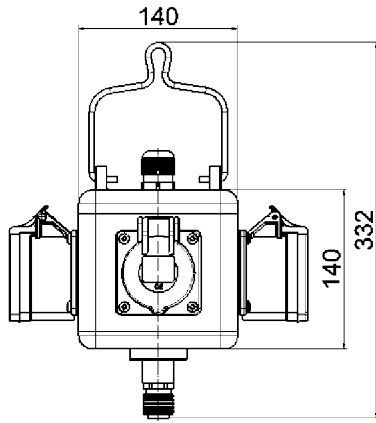


International Edition



Simply. Well. Connected.

- Ready wired for installation
- Protection degree IP44
- All distributors on this page with domestic sockets, German earthing



13MB045

- Dimension of enclosure: 140 x 140 mm
- Enclosure made of high-quality, impact-resistant solid rubber
- Small, compact design
- Variable configuration
- Fuse protection and data systems safely protected behind an operating window
- Top and bottom in signal yellow
- Hanging bracket made of V2A stainless steel
- Easy connection and disconnection of loads by means of knob or grip hook
- Unproblematic connection of supply cable by means of specially developed clamping ring



Order no. **57092**

Components:
4 Domestic sockets 16A, 230V ~
(system F - German earthing System)

Cable entry:
1x M25

Connection option:
for 1 cable up to 5 x 10 mm²



Order no. **57076**

Components:
3 Domestic sockets 16A, 230V ~
(system F - German earthing System)
1 CEE socket 16A, 400V, 5p

Cable entry:
1x M25

Connection option:
for 1 cable up to 5 x 10 mm²



Order no. **57078**

Components:
2 Domestic sockets 16A, 230V ~
(system F - German earthing System)
2 CEE sockets 16A, 400V, 5p

Cable entry:
1x M25

Connection option:
for 1 cable up to 5 x 10 mm²



Order no. **57117**

Components:
2 Domestic sockets 16A, 230V ~
(system F - German earthing System)
2 CEE sockets 16A, 400V, 5p
1 compressed air connection:
(Input: 1/2" pipe with external thread;
Output: 1/2" quick-release connector)

Cable entry:
1x M25

Connection option:
for 1 cable up to 5 x 10 mm²



Order no. **57116**

Components:
3 Domestic sockets 16A, 230V ~
(system F - German earthing System)
1 CEE socket 16A, 400V, 5p
1 compressed air connection:
(Input: 1/2" pipe with external thread;
Output: 1/2" quick-release connector)

Cable entry:
1x M25

Connection option:
for 1 cable up to 5 x 10 mm²



Order no. **57119**

Components:
4 Domestic sockets 16A, 230V ~
(system F - German earthing System)
1 compressed air connection:
(Input: 1/2" pipe with external thread;
Output: 1/2" quick-release connector)

Cable entry:
1x M25

Connection option:
for 1 cable up to 5 x 10 mm²

- Ready wired for installation
- Protection degree IP44
- All distributors on this page with domestic sockets, German earthing



Order no. **571121**

Components:
 3 Domestic sockets 16A, 230V ~
 (system F - German earthing System)
 1 CEE socket 16A, 400V, 5p
 1 compressed air connection
 (Input: 1/2" hose connector NW 13 mm
 Output: 1/2" two-way quick-release connector)

Cable entry:
 2x M25 (2 circuits)

Connection option:
 for 2 cables up to 5 x 10 mm²



Order no. **573395**

Components:
 3 Domestic sockets 16A, 230V ~
 (system F - German earthing System)
 4 data sockets RJ45/ Cat. 6

Cable entry:
 1x M25, 1x M32

Connection option:
 for 1 cable up to 5 x 10 mm²



Order no. **57829**

Components:
 2 Domestic sockets 16A, 230V ~
 (system F - German earthing System)
 1 CEE socket 16A, 400V, 5p

Protection:
 1 RCCB 40/0.03A, 4p

Cable entry:
 1x M25

Connection option:
 for 1 cable up to 5 x 10 mm²



Order no. **57250**

Components:
 2 Domestic sockets 16A, 230V ~
 (system F - German earthing System)
 1 CEE socket 16A, 400V, 5p
 1 CEE socket 32A, 400V, 5p

Cable entry:
 1x M25, 1x M32 (2 circuits)

Connection option:
 for 2 cables up to 5 x 10 mm²



Order no. **57986**

Components:
 4 Domestic sockets 16A, 230V ~
 (system F - German earthing System)
 2 CEE sockets 16A, 400V, 5p

Cable entry:
 1x M25

Connection option:
 for 1 cable up to 5 x 10 mm²



Order no. **57074**

Components:
 4 CEE sockets 16A, 400V, 5p

Cable entry:
 1x M25

Connection option:
 for 1 cable up to 5 x 10 mm²



Order no. **571276**

Components:
 3 Domestic sockets 16A, 230V ~
 (system F - German earthing System)

Protection:
 1 RCCB 40/0.03A, 4p

Cable entry:
 1x M25

Connection option:
 for 1 cable up to 5 x 10 mm²



Order no. **570531**

Components:
 2 Domestic sockets 16A, 230V ~
 (system F - German earthing System)
 1 CEE socket 16A, 400V, 5p
 1 empty space for data sockets

Cable entry:
 2x M25

Connection option:
 for 1 cable up to 5 x 10 mm²

- Ready wired for installation
- Protection degree IP44
- All distributors on this page with domestic sockets, German earthing



Order no. **573143**

Components:

3 Domestic sockets 16A, 230V ~
(system F - German earthing System)
2 data sockets RJ45/ Cat. 6

Cable entry:

2x M25

Connection option:

for 1 cable up to 5 x 10 mm²



Order no. **572231**

Components:

2 Domestic sockets 16A, 230V ~
(system F - German earthing System)
2 CEE sockets 16A, 400V, 5p

Protection:

1 RCCB 40/0.03A, 4p

Cable entry:

1x M25

Connection option:

for 1 cable up to 5 x 10 mm²



Order no. **57963**

Components:

3 Domestic sockets 16A, 230V ~
(system F - German earthing System)

Protection:

1 RCCB 25/0.03A, 2p

Cable entry:

1x M25

Connection option:

for 1 cable up to 3 x 10 mm²



Order no. **570451**

Components:

4 Domestic sockets 16A, 230V ~
(system F - German earthing System)

Protection:

1 RCCB 40/0.03A, 4p

Cable entry:

1x M20

Connection option:

for 1 cable up to 5 x 10 mm²



Order no. **57711**

Components:

2 Domestic sockets 16A, 230V ~
(system F - German earthing System)
1 CEE socket 16A, 400V, 5p
1 CEE socket 32A, 400V, 5p
1 compressed air connection:
(Input: 1/2" pipe with external thread;
Output: 1/2" quick-release connector)

Cable entry:

1x M25, 1x M32 (2 circuits)

Connection option:

for 2 cables up to 5 x 10 mm²



Order no. **573151**

Components:

6 Domestic sockets 16A, 230V ~
(system F - German earthing System)
2 data sockets RJ45/ Cat. 6

Cable entry:

2x M25

Connection option:

for 1 cable up to 5 x 10 mm²



Order no. **57360**

Components:

3 Domestic sockets 16A, 230V ~
(system F - German earthing System)
1 empty space for data sockets

Cable entry:

2x M25

Connection option:

for 1 cable up to 5 x 10 mm²



Order no. **571370**

Components:

2 Domestic sockets 16A, 230V ~
(system F - German earthing System)
with child protection
2 laboratory sockets yellow/green, earth
potential
Laboratory sockets 2x blue and 2x red
DC extra-low voltage
2 laboratory sockets yellow, AC
extra-low voltage

Cable entry:

4x M20

Connection option:

for 1 cable up to 3 x 10 mm²