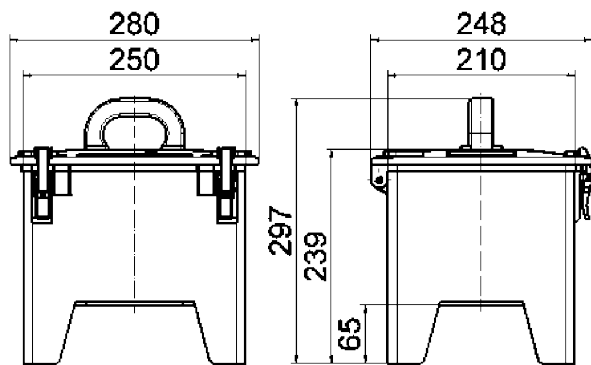


International Edition



Simply. Well. Connected.

- Ready wired for installation
- Protection degree IP44
- All distributors on this page with domestic sockets, German earthing



13MB043

- Dimension of enclosure: 250 x 210 mm
- Enclosure made of high-quality, impact-resistant solid rubber
- Ideally suited to tough, harsh and difficult conditions
- Robust solid-rubber handle with hook for cable
- Lockable stainless-steel quick-release fasteners
- Hinged lid, user-friendly access to protective equipment
- Stackable, foot attachment on enclosure cover
- High rubber feet to avoid dirt at floor level



Order no. **5226**

Components:
 4 Domestic sockets 16A, 230V ~
 (system F - German earthing System)
 2 CEE sockets 16A, 400V, 5p
 1 CEE socket 32A, 400V, 5p

Protection:
 2 Neozed D01, 1p
 2 Neozed D01, 3p

Cable entry/Input:
 CEE inlet 32A, 400V, 5p



Order no. **522590**

Components:
 6 Domestic sockets 16A, 230V ~
 (system F - German earthing System)
 2 CEE sockets 16A, 400V, 5p
 1 CEE socket 32A, 400V, 5p
 1 rotary field measuring device

Protection:
 3 C-type MCBs 16A, 1p
 1 C-type MCB 16A, 3p
 1 RCCB 40/0.03A, 4p

Cable entry/Input:
 CEE phase inverter 32A, 400V, 5p



Order no. **5201558**

Components:
 3 Domestic sockets 16A, 230V ~
 (system F - German earthing System)
 2 CEE sockets 16A, 400V, 5p
 1 CEE socket 32A, 400V, 5p

Protection:
 3 C-type MCBs 16A, 1p
 1 C-type MCB 16A, 3p
 1 RCCB 40/0.03A, 4p

Cable entry/Input:
 CEE inlet 32A, 400V, 5p



Order no. **5201047**

Components:
 4 Domestic sockets 16A, 230V ~
 (system F - German earthing System)
 2 CEE sockets 16A, 400V, 5p
 1 CEE socket 32A, 400V, 5p

Protection:
 4 C-type MCBs 16A, 1p
 2 C-type MCBs 16A, 3p
 1 RCCB 40/0.03A, 4p

Cable entry/Input:
 CEE inlet 32A, 400V, 5p



Order no. **522144**

Components:
 2 Domestic sockets 16A, 230V ~
 (system F - German earthing System)
 2 CEE sockets 16A, 400V, 5p
 2 CEE sockets 32A, 400V, 5p

Protection:
 1 Neozed D01, 1p
 1 Neozed D01, 3p

Cable entry/Input:
 CEE inlet 32A, 400V, 5p



Order no. **5201015**

Components:
 4 Domestic sockets 16A, 230V ~
 (system F - German earthing System)
 1 CEE socket 16A, 400V, 5p
 1 CEE socket 32A, 400V, 5p

Protection:
 2 C-type MCBs 16A, 1p
 1 C-type MCB 16A, 3p
 1 RCCB 40/0.03A, 4p

Cable entry/Input:
 CEE plug 32A, 400V, 5p with
 lead 2 m H07RN-F5G4

- Ready wired for installation
- Protection degree IP44
- All distributors on this page with domestic sockets, German earthing



Order no. **5201926**

Components:
 4 Domestic sockets 16A, 230V ~
 (system F - German earthing System)
 1 CEE socket 16A, 400V, 5p
 2 CEE sockets 32A, 400V, 5p

Protection:
 2 C-type MCBs 16A, 1p
 1 C-type MCB 16A, 3p
 1 RCCB 40/0.03A, 4p

Cable entry/Input::
 CEE plug 32A, 400V, 5p with
 3 m cable H07RN-F5G6



Order no. **5202236**

Components:
 3 Domestic sockets 16A, 230V ~
 (system F - German earthing System)
 2 CEE sockets 16A, 400V, 5p
 2 CEE sockets 32A, 400V, 5p

Protection:
 3 C-type MCBs 16A, 1p
 2 C-type MCBs 16A, 3p
 1 RCCB 40/0.03A, 4p

Cable entry/Input::
 CEE inlet 32A, 400V, 5p



Order no. **5200568**

Components:
 3 Domestic sockets 16A, 230V ~
 (system F - German earthing System)
 3 CEE sockets 32A, 400V, 5p

Protection:
 3 C-type MCBs 16A, 1p
 1 RCCB 40/0.03A, 4p

Cable entry/Input::
 CEE inlet 32A, 400V, 5p



Order no. **524449**

Components:
 4 Domestic sockets 16A, 230V ~
 (system F - German earthing System)
 2 CEE sockets 32A, 400V, 5p

Protection:
 4 C-type MCBs 16A, 1p

Cable entry/Input::
 CEE inlet 32A, 400V, 5p



Order no. **5225**

Components:
 4 Domestic sockets 16A, 230V ~
 (system F - German earthing System)
 2 CEE sockets 16A, 400V, 5p

Cable entry/Input::
 CEE inlet 16A, 400V, 5p



Order no. **5201004**

Components:
 3 Domestic sockets 16A, 230V ~
 (system F - German earthing System)
 1 CEE socket 16A, 400V, 5p
 2 CEE sockets 32A, 400V, 5p

Protection:
 3 C-type MCBs 16A, 1p
 1 C-type MCB 16A, 3p
 1 RCCB 40/0.03A, 4p

Cable entry/Input::
 CEE inlet 32A, 400V, 5p



Order no. **5200917**

Components:
 4 Domestic sockets 16A, 230V ~
 (system F - German earthing System)
 1 CEE socket 16A, 400V, 5p
 1 CEE socket 32A, 400V, 5p

Protection:
 2 C-type MCBs 16A, 1p
 1 C-type MCB 16A, 3p
 1 RCCB 40/0.03A, 4p

Cable entry/Input::
 CEE inlet 32A, 400V, 5p



Order no. **5202237**

Components:
 3 Domestic sockets 16A, 230V ~
 (system F - German earthing System)
 2 CEE sockets 16A, 400V, 5p
 1 CEE socket 32A, 400V, 5p

Protection:
 3 C-type MCBs 16A, 1p
 1 C-type MCB 16A, 3p
 1 RCCB 40/0.03A, 4p

Cable entry/Input::
 CEE plug 32A, 400V, 5p with
 lead 3 m H07RN-F5G4



- Ready wired for installation
- Protection degree IP44
- All distributors on this page with domestic sockets, German earthing



Order no. **526**

Components:
5 Domestic sockets 16A, 230V ~
(system F - German earthing System)
2 CEE sockets 16A, 400V, 5p

Cable entry/Input::
CEE inlet 16A, 400V, 5p



Order no. **5202238**

Components:
4 Domestic sockets 16A, 230V ~
(system F - German earthing System)
1 CEE socket 16A, 400V, 5p
2 CEE sockets 32A, 400V, 5p

Protection:
4 C-type MCBs 16A, 1p
1 C-type MCB 16A, 3p
1 RCCB 40/0.03A, 4p

Cable entry/Input::
CEE inlet 32A, 400V, 5p



Order no. **522143**

Components:
3 Domestic sockets 16A, 230V ~
(system F - German earthing System)
2 CEE sockets 16A, 400V, 5p
1 CEE socket 32A, 400V, 5p

Protection:
3 Neozed D01, 1p
1 Neozed D01, 3p
1 RCCB 40/0.03A, 4p

Cable entry/Input::
CEE inlet 32A, 400V, 5p



Order no. **52638**

Components:
4 Domestic sockets 16A, 230V ~
(system F - German earthing System)
2 CEE sockets 16A, 400V, 5p

Protection:
1 RCCB 40/0.03A, 4p

Cable entry/Input::
CEE plug 16A, 400V, 5p with
lead 2 m H07RN-F5G2,5



Order no. **5201555**

Components:
3 Domestic sockets 16A, 230V ~
(system F - German earthing System)
1 CEE socket 16A, 400V, 5p
1 CEE socket 32A, 400V, 5p

Protection:
3 C-type MCBs 16A, 1p
1 C-type MCB 16A, 3p
1 RCCB 40/0.03A, 4p

Cable entry/Input::
CEE inlet 32A, 400V, 5p



Order no. **52480**

Components:
4 Domestic sockets 16A, 230V ~
(system F - German earthing System)
2 CEE sockets 16A, 400V, 5p

Protection:
1 RCCB 40/0.03A, 4p

Cable entry/Input::
CEE inlet 16A, 400V, 5p



Order no. **522589**

Components:
6 Domestic sockets 16A, 230V ~
(system F - German earthing System)
2 CEE sockets 16A, 400V, 5p
1 rotary field measuring device

Protection:
3 C-type MCBs 16A, 1p
1 RCCB 40/0.03A, 4p

Cable entry/Input::
CEE phase inverter 16A, 400V, 5p



Order no. **523291**

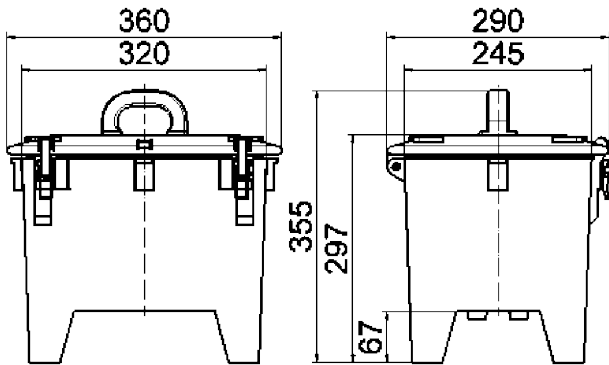
Components:
6 Domestic sockets 16A, 230V ~
(system F - German earthing System)

Protection:
6 C-type MCBs 16A, 1p
1 RCCB 40/0.03A, 4p

Cable entry/Input::
CEE plug 32A, 400V, 5p with
lead 3 m H07RN-F5G4



- Ready wired for installation
- Protection degree IP44
- All distributors on this page with domestic sockets, German earthing



13MB036

- Dimension of enclosure: 320 x 245 mm
- Enclosure made of high-quality, impact-resistant solid rubber
- Ideally suited to tough, harsh and difficult conditions
- Robust solid-rubber handle with hook for cable
- Lockable stainless-steel quick-release fasteners
- Hinged lid, user-friendly access to protective equipment
- Stackable, foot attachment on enclosure cover
- High rubber feet to avoid dirt at floor level



Order no. **5202239**

Components:

- 4 Domestic sockets 16A, 230V ~ (system F - German earthing System)
- 2 CEE sockets 16A, 400V, 5p
- 2 CEE sockets 32A, 400V, 5p

Protection:

- 4 C-type MCBs 16A, 1p
- 2 C-type MCBs 16A, 3p
- 2 C-type MCBs 32A, 3p
- 1 RCCB 63/0.03A, 4p

Cable entry/Input::
CEE plug 63A, 400V, 5p with lead 2 m H07RN-F5G10



Order no. **5202240**

Components:

- 4 Domestic sockets 16A, 230V ~ (system F - German earthing System)
- 1 CEE socket 16A, 400V, 5p
- 1 CEE socket 32A, 400V, 5p
- 1 CEE socket 63A, 400V, 5p

Protection:

- 2 C-type MCBs 16A, 1p
- 1 C-type MCB 16A, 3p
- 1 C-type MCB 32A, 3p
- 1 RCCB 63/0.03A, 4p

Cable entry/Input::
CEE plug 63A, 400V, 5p with lead 3 m H07RN-F5G10



Order no. **524443**

Components:

- 4 Domestic sockets 16A, 230V ~ (system F - German earthing System)
- 3 CEE sockets 16A, 400V, 5p
- 1 CEE socket 32A, 400V, 5p

Protection:

- 2 Neozed D01, 1p
- 3 Neozed D01, 3p

Cable entry/Input::
CEE plug 32A, 400V, 5p with lead 3 m H07RN-F5G4



Order no. **522167**

Components:

- 4 Domestic sockets 16A, 230V ~ (system F - German earthing System)
- 3 CEE sockets 16A, 400V, 5p
- 1 CEE socket 32A, 400V, 5p

Protection:

- 2 Neozed D01, 1p
- 3 Neozed D01, 3p

Cable entry/Input::
CEE inlet 32A, 400V, 5p



Order no. **521828**

Components:

- 4 Domestic sockets 16A, 230V ~ (system F - German earthing System)
- 4 CEE sockets 32A, 400V, 5p

Protection:

- 4 Neozed D01, 1p
- 1 RCCB 40/0.03A, 4p

Cable entry/Input::
CEE inlet 32A, 400V, 5p



Order no. **5202241**

Components:

- 4 Domestic sockets 16A, 230V ~ (system F - German earthing System)
- 1 CEE socket 16A, 400V, 5p
- 1 CEE socket 32A, 400V, 5p
- 1 CEE socket 63A, 400V, 5p

Protection:

- 2 C-type MCBs 16A, 1p
- 1 C-type MCB 16A, 3p
- 1 C-type MCB 32A, 3p
- 1 RCCB 63/0.03A, 4p

Cable entry/Input::
CEE inlet 63A, 400V, 5p

- Ready wired for installation
- Protection degree IP44
- All distributors on this page with domestic sockets, German earthing



Order no. 524446

Components:
 4 Domestic sockets 16A, 230V ~
 (system F - German earthing System)
 1 CEE socket 16A, 400V, 5p
 1 CEE socket 32A, 400V, 5p
 1 CEE socket 63A, 400V, 5p

Protection:
 2 Neozed D01, 1p
 1 Neozed D01, 3p
 1 Neozed D02, 3p
 1 RCCB 63/0.03A, 4p

Cable entry/Input::
 CEE plug 63A, 400V, 5p with
 lead 3 m H07RN-F5G10



Order no. 5202242

Components:
 6 Domestic sockets 16A, 230V ~
 (system F - German earthing System)
 1 CEE socket 16A, 400V, 5p
 1 CEE socket 32A, 400V, 5p
 1 CEE socket 63A, 400V, 5p

Protection:
 6 C-type MCBs 16A, 1p
 1 C-type MCB 16A, 3p
 1 C-type MCB 32A, 3p
 1 RCCB 63/0.03A, 4p

Cable entry/Input::
 CEE plug 63A, 400V, 5p with
 lead 2 m H07RN-F5G16



Order no. 5202469

Components:
 6 Domestic sockets 16A, 230V ~
 (system F - German earthing System)
 1 CEE socket 16A, 400V, 5p
 1 CEE socket 32A, 400V, 5p
 1 CEE socket 63A, 400V, 5p

Protection:
 6 C-type MCBs 16A, 1p
 1 C-type MCB 16A, 3p
 1 C-type MCB 32A, 3p
 1 RCCB 63/0.03A, 4p

Cable entry/Input::
 CEE inlet 63A, 400V, 5p



Order no. 5202243

Components:
 8 Domestic sockets 16A, 230V ~
 (system F - German earthing System)
 1 CEE socket 16A, 400V, 5p
 1 CEE socket 32A, 400V, 5p

Protection:
 4 C-type MCBs 16A, 1p
 1 C-type MCB 16A, 3p
 1 RCCB 40/0.03A, 4p

Cable entry/Input::
 CEE plug 32A, 400V, 5p with
 lead 3 m H07RN-F5G4



Order no. 5202244

Components:
 8 Domestic sockets 16A, 230V ~
 (system F - German earthing System)
 1 CEE socket 16A, 400V, 5p
 1 CEE socket 32A, 400V, 5p

Protection:
 4 C-type MCBs 16A, 1p
 1 C-type MCB 16A, 3p
 1 RCCB 40/0.03A, 4p

Cable entry/Input::
 CEE inlet 32A, 400V, 5p



Order no. 5201003

Components:
 3 Domestic sockets 16A, 230V ~
 (system F - German earthing System)
 1 CEE socket 16A, 400V, 5p
 2 CEE sockets 32A, 400V, 5p
 1 CEE socket 63A, 400V, 5p

Protection:
 3 C-type MCBs 16A, 1p
 1 C-type MCB 16A, 3p
 2 C-type MCBs 32A, 3p
 1 RCCB 63/0.03A, 4p

Cable entry/Input::
 CEE inlet 63A, 400V, 5p



Order no. 5202245

Components:
 4 Domestic sockets 16A, 230V ~
 (system F - German earthing System)
 2 CEE sockets 16A, 400V, 5p
 2 CEE sockets 32A, 400V, 5p

Protection:
 2 C-type MCBs 16A, 1p
 2 C-type MCBs 16A, 3p
 2 C-type MCBs 32A, 3p
 1 RCCB 63/0.03A, 4p

Cable entry/Input::
 CEE plug 63A, 400V, 5p with
 lead 3 m H07RN-F5G10



Order no. 5202470

Components:
 4 Domestic sockets 16A, 230V ~
 (system F - German earthing System)
 2 CEE sockets 16A, 400V, 5p
 2 CEE sockets 32A, 400V, 5p

Protection:
 2 C-type MCBs 16A, 1p
 2 C-type MCBs 16A, 3p
 2 C-type MCBs 32A, 3p
 1 RCCB 63/0.03A, 4p

Cable entry/Input::
 CEE inlet 63A, 400V, 5p