



## Manual - Vesuvio Underfloor distributor system

### Imprint:

GIFAS-ELECTRIC GmbH  
CH-9424 Rheineck  
[www.gifas.ch](http://www.gifas.ch)

Technical changes and errors reserved.

This manual is property of GIFAS-ELECTRIC GmbH and may not be reproduced, copied, translated, transmitted, duplicated or transferred to third parties in part or in whole without previous written authorization by GIFAS-ELECTRIC GmbH.

version: V1.01/0814  
English

---

<b>1.</b>	<b>Basic information</b>	<b>3</b>
1.1	Areas of application	3
1.2	Product features	3
1.3	Scope of delivery	3
1.4	Technical information	3
1.5	Documentation	4
1.5.1	Product labelling	4
1.5.2	Labelling concept for integrated text and references	4
1.6	Storage	4
1.7	Disposal	4
1.8	Service address	4
1.9	Operator's responsibilities	5
<b>2.</b>	<b>Assembly and installation</b>	<b>6</b>
2.1	Work to be done on site by customer	6
2.2	Principle drawing	7
<b>3.</b>	<b>Maintenance</b>	<b>8</b>
3.1	Maintenance schedule	8
3.2	Description of maintenance and inspection works	8
<b>4.</b>	<b>Debugging</b>	<b>8</b>
4.1	Measures for elimination of errors	8
<b>5.</b>	<b>Declaration of conformity</b>	<b>9</b>

## 1. Basic information

### 1.1 Areas of application

Industrial buildings, hangars, sports facilities, pedestrian zones, town squares, as well as school buildings and anywhere where power distribution must be available quickly and regularly.

### 1.2 Product features

Basic features and benefits of Vesuvio:

- Stainless steel box with lock
- Closed operation provides high security for operators, vehicles and pedestrians
- Easily operated and safe
- Protection against vandalism thanks to lockable lid
- Customised distributor executions available
- Little cost for maintenance
- High-end solid rubber power distributor for tough conditions
- Resistant against environmental conditions
- Load capacity: 40t

### 1.3 Scope of delivery

The cast pit cover including a power distributor is mounted on a concrete ring. The junction box is connected to the power distributor. The connection to the junction box, the drainage, etc. has to be provided by customer.

### 1.4 Technical information

- Model Vesuvio is available in one size (max. KSV 7700)
- Suitable for electricity, water and compressed air
- GIFAS hard rubber distributor, which is mounted on the lid, can be equipped individually
- The dimension of the junction box depends on the electrical needs.
- Class of load capacity D 400 (40t)
- Easy, quick opening and closing, supported by gas springs, these gas springs support your muscle craft, and serves to a controlled opening and closing of the GIFAs underfloor distribution systems

**1.5 Documentation**

1.5.1 Product labelling



The CE-label attests that your device meets the safety requirements of EU directives 2006/95/EC and 2004/108/EC.

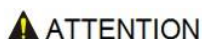
1.5.2 Labelling concept for integrated text and references



Dangerous situation that will certainly cause a serious injury or death, if it is not avoided.



Dangerous situation that may cause a serious injury or death, if it is not avoided.



Dangerous situation that may cause a moderate injury, if it is not avoided.



Designs information which causes danger but not including personal injuries (e.g. property damages).

**1.6 Storage**

No additional measures are required for storage. When packing, be sure to protect it from damage.

**1.7 Disposal**



This product must not be thrown in the bin.

In accordance with official local and national regulations, this product is to be recycled appropriately.



European WEEE Directive 2002/96/CE; Waste Electrical and Electronic Equipment

**1.8 Service address**

**GIFAS-Electric GmbH**

Dietrichstrasse 2  
Postfach 275  
CH-9424 Rheineck

Telefon: +41 7 18 86 44 44  
Telefax: +41 7 18 86 44 49

[www.gifas.ch](http://www.gifas.ch)  
[info@gifas.ch](mailto:info@gifas.ch)



### 1.9 Operator's responsibilities

 **WARNING**

To ensure personal safety, the operating manual must be carefully followed.

Incorrect installation or incorrect operation of the product can result in serious injury.

The Gifas inspection and maintenance schedule must be adhered to.

1. The installer must provide the user with all the information relating to the operation of the system. Make sure that this document is always kept in a readable state along with the product.
2. Read this operating manual carefully during the planning phase, before installation and putting into operation.
3. This product is designed and manufactured exclusively for the use indicated in this document. Any other use not expressly indicated here could compromise the integrity of the product and / or be a source of danger. Changes must not be made to the Underfloor power distributor system components.
4. The manufacturer declines any liability for damage caused by improper or inappropriate use of the product.
5. The product shall not be installed in a potentially explosive atmosphere. Flammable gas or fumes constitute a serious safety risk.
6. For countries that are not members of the European Community, the standards and regulation applicable in those countries must be followed in addition to national legal regulations in order to guarantee a certain level of safety.
7. The installation must be carried out in accordance with applicable regulations.
8. The manufacturer assumes no liability in the event of improper execution during assembly or for any deformation that may occur during operation.
9. Only original parts from GIFAS may be used for maintenance. The manufacturer declines all liability with regard to the safety and trouble-free operation of the underfloor distributor system if components that were not approved by the manufacturer are used in the installation.
10. Only qualified personnel may perform operations on the Underfloor distribution system.
11. All procedures not expressly designated by the manufacturer in the operating manual are not permitted.
12. Neither children nor adults may be in the immediate vicinity of the Underfloor distributor system when it is in operation.

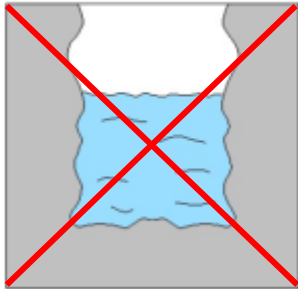
Power supply:

13. Before any intervention on the system, the electrical power must be switched off.
14. The Underfloor distributor system main power supply must be protected in accordance with current regulations and manufacturer instructions.
15. It is necessary to verify that the earthing system is properly installed.

**2. Assembly and installation**

**2.1 Work to be done on site by customer**

The cover system is not sealed against surface water, this means that the customer must provide for the drainage of the underfloor distributor system. The customer must therefore ensure that an appropriate drainage line or drainage system is installed.



Without drainage/  
Drain pipe

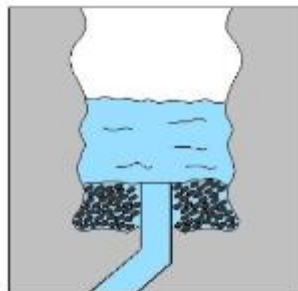


with drainage bed  
(e.g. loose subsurface)



with drain pipe  
(e.g. solid subsurface)

40L in 30 min.



Check drainage capacity!

The excavation work as well as the professional and standards-compliant installation must be performed by the customer. It is important to ensure that the load capacity of the foundation and / or the cover layer corresponds to the load capacity of the underfloor distributor system in order to prevent subsidence.

**⚠ WARNING**

If the Underfloor distribution system is not to be installed immediately after the excavation work, the installation pit must absolutely be secured or locked so that it does not pose a safety risk!

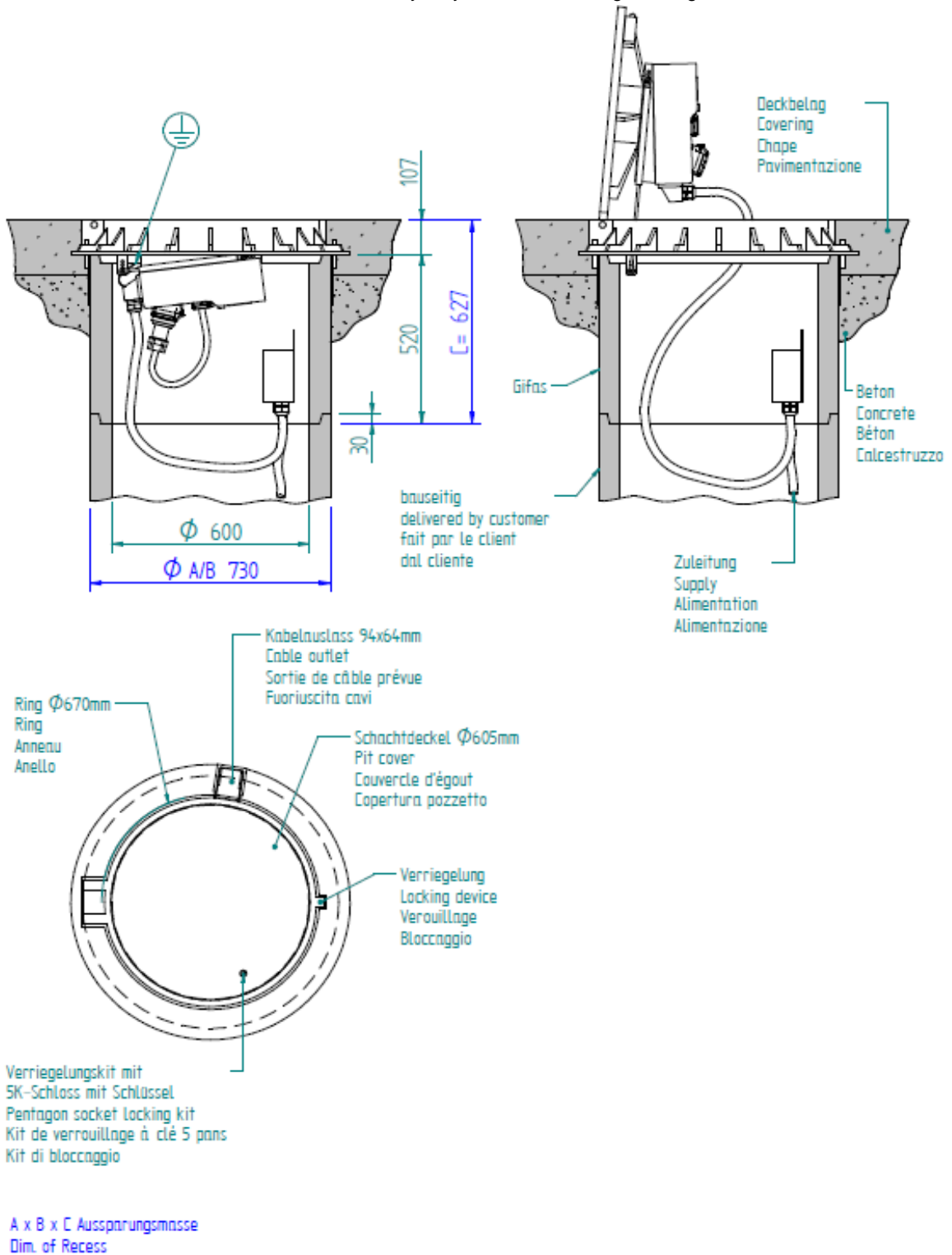
Underfloor distributor systems that are operated in open mode must not pose a safety risk when in operation (risk of falling, manipulation)

The electrical connection may only be made by trained personnel and is the responsibility of the operator.

2.2 Principle drawing

**INDICATION**

The details necessary for proper installation can be found on the project-specific drawing from GIFAS. Custom models may vary from the following drawings.



The cover opens automatically through the use of gas springs. They support muscular force and allow for the controlled opening and closing of the cover.

**3. Maintenance**

**3.1 Maintenance schedule**

Work to be done:	Period:
Inspection of gas springs	Once a year
Inspection of lid hinge bar	Once a year
Inspection of lock system	Once a year
Cleaning of lid cover surface	Once a year
Cleaning of drainage	On demand
Checking electrical distributions / install	According to local regulations

**⚠ WARNING** Gas springs are wear parts and must be replaced immediately in case of pressure loss in order to ensure a safe and gradual closing of the cover.

**3.2 Description of maintenance and inspection works**

The lock, hinges, as well as the gas springs must be checked, cleaned and lubricated at appropriate intervals.

The surface of the cover or filled cover must be cleaned from dirt at appropriate intervals to ensure a safe and proper closing.

The electrical parts must be maintained and revised by professionally-trained personnel in accordance with national regulations and standards.

**4. Debugging**

**4.1 Measures for elimination of errors**

Bug / error	Possible cause(s)	Solution
Lid can hardly be opened	Failure of gas spring	Replace gas spring
Lid can hardly be openend	Hinge or gas spring polluted	Clean hinge or gas spring
Lid is closing too fast	Failure of gas spring	Replace gas spring
Lid is not closing	Failure of lock system	Replace lock system/clean lock system
Lid is not closing	Lid surface is dirty	Clean lid surface
Earth leakage circuit breaker is triggering	Electrical default	Repair/ revision by professionally trained personnel



5. Declaration of conformity

GIFA S-ELECTRIC GmbH  
 CH-9424 Rheineck - Dietrichstrasse 2  
 Postfach - Telefon +41 71 886 44 44



**KONFORMITÄTSERKLÄRUNG / DECLARATION OF CONFORMITY /  
 DECLARATION DE CONFORMITE**

Wir / We / Nous: GIFAS-ELECTRIC GmbH, CH-9424 Rheineck

erklären in alleiniger Verantwortung, dass das nachfolgend aufgeführte Produkt aufgrund seiner Bestückung und Bauart in der von uns in Verkehr gebrachten Ausführung den einschlägigen Sicherheits- und Gesundheitsanforderungen der EU-Richtlinie entspricht. Bei einer nicht mit uns abgestimmten Änderung des Produkts verliert diese Erklärung ihre Gültigkeit.

declare under our sole responsibility that the product about the equipment and construction as we put the execution into circulation of the appropriate security and health requested, correspond with the European guideline. Any change on the product without our agreement has the consequence, that the declaration will lose its validity.

déclarons sous notre seule responsabilité que le produit sousmentionné correspond aux exigences de sécurité et de santé des lignes d'application CE, en raison de son équipement et son genre de construction. Cette déclaration perd sa validité lors de modification du produit sans notre accord.

**Produkt:** Unterflurverteiler  
**Product:** Underfloor distributor systems  
**Produit:** Distribution électrique souterraine

**Typ/Type/Type:** Piazza 540, Vesuvio

**EU-Richtlinien:** Niederspannungsrichtlinie 2006/95/EG  
**EC-Guidelines:** Low-Voltage Directive (LVD) 2006/95/EC  
**Directives de la CE:** Directive Basse Tension 2006/95/EC

**Angewandte Normen/  
 Applied standard/  
 Normes:** EN 60439-1+A1:2005  
 EN 60439-4:2005

CH-9424 Rheineck, den 16. Mai 2013

GIFAS-ELECTRIC GmbH



E. Hasler, Geschäftsführer  
 E. Hasler, Managing Director  
 E. Hasler, Président-directeur général

GIFAS-ELECTRIC GmbH - Dietrichstrasse 2 - CH-9424 Rheineck - Telefon +41 71 886 44 44 - Telefax +41 71 886 44 49 - info@gifas.ch